



Thorngate Benefice Newsletter

The next issue of The Newsletter will cover July and August 2023 (deadline is 15th June 2023)

Lockerley Walking Group

Walk around Bentley Wood

An evening walk, meeting at the Black Horse Pub, West Tytherley on Wednesday 14 June at 5pm. Please join Anna and George for an approx 4 mile easy circular walk through Bentley Wood (no stiles). The wood always looks at its best in June so please come along and join us.



Supper to follow for those who wish at the Black Horse Pub at 7pm. Please let us know if you you'd like to join us in order to plan food with the pub. Reply to Anna: anna_baumer@hotmail.com

Wilton and around Burcombe

Wednesday 12th July afternoon walk - Wilton and around Burcombe. Meet 2pm Butts Green to share lifts to the South Street Car Park, Wilton SP2 0JS. The walk 6 mile walk will start at 3pm along good tracks, has 2 steady climbs and descents, with great views and no styles. Finishing with optional supper at the Greyhound, Wilton. Please let Diana and Susie know if you are coming and would like to stay for supper by 28th June.

Susie ramshill@gmail.com and Diana dmbowley@hotmail.com

200 Club

Results - April's winners were selected by a couple visiting Lockerley on a camping weekend who happened to be sitting on Butts Green in the sunshine on draw day.

The winners are:-

Hazel Screech £20

Clare Barrow £20

Parish Council Meetings are open to the public, with the next meeting of the Lockerley Parish Council being held on Monday 26 June 2023 at 7pm in the Memorial Hall. Jane Waller was elected Chair for the coming year.

Coronation Events Round Up

Many thanks to all who joined in with the coronation events in **East Tytherley**. It was a lovely atmosphere with a huge amount of clearing around the churchyard and 2022 Jubilee Tree accomplished, and a toast raised to the new King in the afternoon! Thanks as well to TVBC for the small coronation grant which helped towards the day. We have a few of the 'East Tytherley Coronation Medals' given out on the day, still available. Just drop me an email if you would like to claim one for your children, first come first served

Joannenash@east-tytherley.co.uk

At **Lockerley's** Afternoon Tea Party, the winner of the amazing 'crown on cushion' cake, by guessing the correct weight was Sarah Ratcliff with her answer of 5.1kg (that's 13lbs 12ozs for those of you still weighing in 'old money'!)

Thanks to the organisers of all the events held over the Celebration Weekend and to all the volunteers who helped out in many different ways. Your efforts were appreciated by your local communities.

Lockerley & East Dean Fete is back! (Saturday 17th June – 12 to 4pm)

We are all very excited that the fete will return this year, on Butts Green, on 17th June and are grateful for all the offers of help. If anyone is able to donate any books, bottles, toys, plants or bunting, please drop it off to one of the following drop off points;

- Books - White Harbour, Butts Green (next to garage)
- Bottles - Tarn Hows, Top Green
- Toys - Butts Green House, Butts Green
- Plants - Little Dean, Lockerley Green
- Any of the above - Green Croft, Top Green

VILLAGE
FETE

If you'd like to donate a cake, please drop at the village hall on the morning of 17th June. If you would like to get involved with the fete, please email philwebb39@gmail.com. See you on the 17th!

Lockerley Fun Run

The Madge Arthur Fun Run is also back!
Please join us on **Friday 16th June** at **6pm** on Butts Green for a fun run around the village to get in the fete spirit!



Entry is £2 for adults and £1 for under 16s.
Refreshments and a tuck shop will be available (please bring cash).

Garden Party

Save the Date.....

It is with great pleasure that we can announce that Greenview Residential Care Home will be holding our Garden Party here at **Greenview Residential Care Home, Lockerley Green** on the **2nd of July** from 2-5pm.

After some careful thought and missing the fun and friendship of what had been an annual village event we are very excited to get this event back on the calendar. They were such fun and a big part of life here...interrupted by the pandemic. Looking very much to hosting the event again this year.

Ian Bradford and all the amazing, supportive staff

FARLEY MUSIC FESTIVAL

Returns for its 22nd Year

Running from 13TH -18TH June 2023

This year the music festival celebrates the life of Christopher Wren who was instrumental in the design and building of All Saints Church Farley and who died 300 years ago.

We have a solid record of bringing some of the best young musicians from around Europe and this year is no exception with even more artists than ever playing over 5 nights.

All details and tickets can be found at:

www.farleymusic.co.uk

Thorngate Village Care Group

Our local support network of volunteers ready to help, all DBS checked, insured and ready, willing and able to help in so many ways – essential shopping, prescriptions, friendly phone calls.

The Care Group is affiliated to the Good Neighbours Network and covers Lockerley, East Dean, East and West Tytherley and the Hampshire residents of West Dean

REQUESTS FOR HELP contact any Co-ordinator

Diana	07464956759
Fiona	341098
Julie	340850
Liz	340993
Peggy	340084

British Red Cross Registered Charity Number: 220949

Fundraising shop at rear of North Baddesley Village Hall SO52 9DT

We are now open as follows: Monday to Friday 10am to 4pm

Every 3rd Saturday of the month 10am to 1pm

Telephone number – 02380 735089

Bargains each week

We accept good quality ladies, men's and children's clothes, household, Bric-a-Brac and books. Unwanted Birthday and Christmas gifts are gratefully received.

We cannot accept large items of furniture (space restrictions). We cannot accept shoes, cushions, duvets, curtains, baby clothes or CDs

Wool always wanted (no cones) for our many projects

We would like some wrapping paper to be donated – to keep customers bric-a-brac safely wrapped.

FRIDAY/SUNDAY LUNCHES

Lockerley & East Dean Memorial Hall

Friday 16th June and Sunday 16th July

To join in, and for more details, please phone 340236 or 340993

Julie Lamont, the Newsletter Editor, is looking to 'lay down her pen' and hand over to someone else.

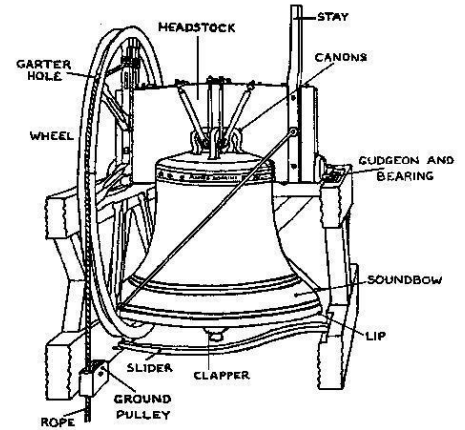
If you are interested in learning more please contact her at newsletter@lockerley.org.uk

Lockerley Bell Tower Open Day and Lockerley Mechanicals Saturday July 8th 10am until 4pm

As part of the Romsey Arts Festival, the Lockerley Bell Tower will be open to visitors who will be able to watch bellringing, see the bells swinging in the steeple by means of technology and for anyone over nine years old there is an opportunity to have a go at the first steps in ringing, if it 'appeals'. We are always looking for new recruits.

There will be items and information boards in the church and a screen showing what is going on in the ringing room for those not able to make it up the spiral staircase.

Come and meet the ringers, it is a fun experience.



The Lockerley Mechanical Society will also have classic cars outside the church and items of interest inside.

Greetings from Lockerley Baptist Church

We meet each Sunday at 10.30am for morning worship. Anyone is welcome to join us for this service which is followed with tea or coffee and biscuits.

Our next Coffee Morning is on Wednesday 21st June in the back hall from 10am to 12 Noon. Please come and join us. Light refreshments including home made cake and savouries will be available.

If you would like any further information or help please phone Brian or Marion on 01794 340695

Welcome folder copies (for those new to the area) may be obtained from:

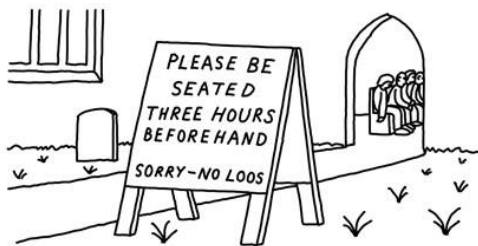
Lockerley : Bob Stileman 01794 340452 East Dean: Nicky Bell 341228
East Tytherley: Rob Scoones 341269 West Tytherley: Julie Neilson 340850

All contributions for future editions of The Newsletter should be sent to
newsletter@lockerley.org.uk by the 15th of the preceding month.

DIARY OF EVENTS

Visit the website www.lockerley.org.uk and www.easttytherleyvillage.com
for up to date diary and news entries

LESSONS FOR CHURCHES FROM THE CORONATION



IT'S A GOOD IDEA TO ARRIVE
EARLY FOR THE SERVICE



ANNOUNCE IMPORTANT MOMENTS
WITH A FANFARE



YOU SHOULD BE ALLOWED TO REMOVE YOUR
PRECARIOUS HEADWEAR TO WATCH YOUR OWN FLYPAST



MAKE SURE PROTESTERS
ARE REMOVED PRE-EMPTIVELY

Cartoon by Dave Walker - cartoonchurch.com



St Winfrip's, East Dean



St Peter's, East Tytherley



St John's, Lockerley

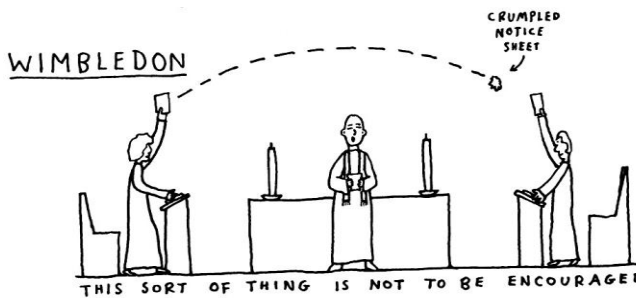


St Peter's, West Tytherley

JUNE

EXAM TIME

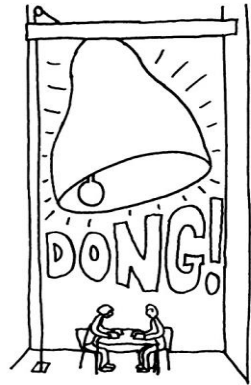
A LOT OF STUDENTS ARE DOING EXAMS. THE CHURCH CAN PLAY ITS PART BY PROVIDING A QUIET PLACE FOR REVISION



If June is anything like May, it is going to be busy but with fewer Bank Holidays! June is the time for exams at schools and colleges – although our local schools have already completed their SATs. Please remember, and pray for, those working hard, whether it be GCSEs, AS, A2 or University exams.

In June the Pattern of Services across our churches is changing again! (See below) We will be joining with Wellow and Sherfield Churches in a bigger arrangement – the Thorngate & Blackwater Benefice. The date of formally starting the new Benefice should be 1st July but, as I write this, there is still one legal hurdle to cross! Then the team, who work together to lead the church services, will grow by one. (A priest who will live in Wellow but work across the whole of the new Benefice).

In May we had the Coronation of King Charles III and many communities will have had street parties, church services, and other celebrations for the Coronation weekend. Being a community of God is also about being a community of love, belonging and togetherness. As we learn to see the nature of God in the face of others, our communities in turn reflect God's character to the world. So in June, wherever you go – Fêtes, BBQs, Picnics and Church Services – please do raise a glass, and a prayer, for our communities.



PRAYER: *Living God, you bring us together in community and teach us to love one another as you have loved us. May we be beacons of your light in the communities in which we are set, that through truth, justice and action we may see your kingdom come upon earth, in Jesus Christ our Lord. Amen*

Your Vicar, James

Facebook page and access to Services: www.facebook.com/groups/ThorngateChurches/

Monday to Saturday: 9am Online Morning Prayer and 9pm Online Night Prayer

	4 th June	11 th June	18 th June	25 th June
East Dean	11am (BCP) Matins	9am (BCP) Communion	8am (BCP) Communion	6pm (BCP) Evensong
East Tytherley	-	930am Short but Sweet	11am Eucharist	-
Lockerley	8am (BCP) Communion 1030am Celebration	1030am Eucharist	1030am Celebration	1030am Eucharist
West Tytherley	10am Service of the Word	8am (BCP) Communion	9.15am Matins	9.15am Eucharist
Sherfield English	11am Communion	11am Morning Prayer	11am Family Service	11am Morning Prayer
Wellow	9.15am Holy Communion	9.15am Holy Communion	9.15am Holy Communion	8.15am (BCP) Holy Communion 9.15am (BCP) Matins

Notes: BCP – Traditional services from the Book of Common Prayer, all other services are Modern Language from Common Worship
There are 20 minute mid-week Communion Services every Wednesday in Lockerley at 9am

Church Contacts:

Vicar: Rev James Pitkin, The Vicarage, Romsey Road, Lockerley SO51 0JF
Tel: 01794-340635 e-mail jamespitkin@priest.com
Associate Priest: Rev Nick Flood 01794-323731
Associate Priest: Rev Joanna Percival joanna.percival@btinternet.com
Reader: John Niblett 01794-340587

Churchwardens:

Lockerley Robert Wallace 07766318975	West Tytherley Fiona Collier 01794-341098 Sheridan O'Shea 01794-340253
East Dean Nicky Bell 01794-341228 Diana Ayles 01794-340236	East Tytherley Rob Scoones 01794-341269 Val Austin 01794-301580

Items for the **July/August** Newsletter to be sent or given to:

The Vicar
(contact details on the left)
Or
email
newsletter@lockerley.org.uk

By 12 Noon Latest
15th June